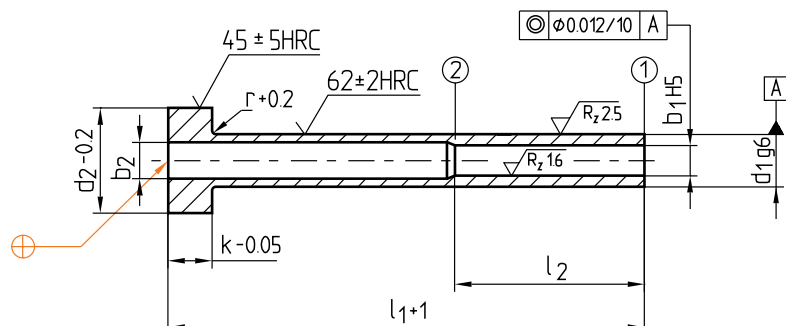


Z4510/...

Mat.: WS (≈ 1.2516)



► Info



Neu / New / Nouveau

| r | b ₂ | d ₂ | k | l ₂ | d ₁ | b ₁ | l ₁ | Nr./No. |
|-----|----------------|----------------|-----|----------------|----------------|----------------|----------------|-------------------|
| 0,2 | 1,1 | 3 | 1,5 | 20 | 1,8 | 0,8 | 50 | Z4510/1,8/0,8x 50 |
| | | | | | | | 56 | 56 |
| | | | | | | | 63 | 63 |
| | | | | | | | 71 | 71 |
| | | | | | | | 80 | 80 |
| 0,2 | 1,3 | 4 | 2 | 25 | 2 | 1 | 50 | Z4510/2 /1 x 50 |
| | | | | | | | 56 | 56 |
| | | | | | | | 63 | 63 |
| | | | | | | | 71 | 71 |
| | | | | | | | 80 | 80 |
| 0,3 | 1,1 | 5 | 2 | 20 | 2,2 | 0,8 | 71 | Z4510/2,2/0,8x 71 |
| | | | | | | | 80 | 80 |
| | | | | | | | 90 | 90 |
| | | | | | | | 100 | 100 |
| | | | | | | | 112 | 112 |
| 0,3 | 1,3 | 5 | 2 | 25 | 2,5 | 1 | 71 | Z4510/2,5/1 x 71 |
| | | | | | | | 80 | 80 |
| | | | | | | | 90 | 90 |
| | | | | | | | 100 | 100 |
| | | | | | | | 112 | 112 |
| 0,3 | 1,4 | 5 | 2 | 25 | 2,5 | 1,1 | 71 | Z4510/2,5/1,1x 71 |
| | | | | | | | 80 | 80 |
| | | | | | | | 90 | 90 |
| | | | | | | | 100 | 100 |
| | | | | | | | 112 | 112 |
| 0,3 | 1,5 | 5 | 2 | 25 | 2,5 | 1,2 | 71 | Z4510/2,5/1,2x 71 |
| | | | | | | | 80 | 80 |
| | | | | | | | 90 | 90 |
| | | | | | | | 100 | 100 |
| | | | | | | | 112 | 112 |
| 0,3 | 1,6 | 5 | 2 | 25 | 2,5 | 1,3 | 71 | Z4510/2,5/1,3x 71 |
| | | | | | | | 80 | 80 |
| | | | | | | | 90 | 90 |
| | | | | | | | 100 | 100 |
| | | | | | | | 112 | 112 |

| r | b ₂ | d ₂ | k | l ₂ | d ₁ | b ₁ | l ₁ | Nr./No. |
|-----|----------------|----------------|---|----------------|----------------|----------------|----------------|-----------------|
| 0,3 | 1,7 | 6 | 3 | 25 | 3 | 1,4 | 71 | Z4510/3/1,4x 71 |
| | | | | | | | 80 | 80 |
| | | | | | | | 90 | 90 |
| | | | | | | | 100 | 100 |
| | | | | | | | 112 | 112 |
| 0,3 | 1,8 | 6 | 3 | 25 | 3 | 1,5 | 71 | Z4510/3/1,5x 71 |
| | | | | | | | 80 | 80 |
| | | | | | | | 90 | 90 |
| | | | | | | | 100 | 100 |
| | | | | | | | 112 | 112 |
| 0,3 | 2 | 6 | 3 | 36 | 3 | 1,6 | 71 | Z4510/3/1,6x 71 |
| | | | | | | | 80 | 80 |
| | | | | | | | 90 | 90 |
| | | | | | | | 100 | 100 |
| | | | | | | | 112 | 112 |
| 0,3 | 2 | 6 | 3 | 36 | 3 | 1,7 | 71 | Z4510/3/1,7x 71 |
| | | | | | | | 80 | 80 |
| | | | | | | | 90 | 90 |
| | | | | | | | 100 | 100 |
| | | | | | | | 112 | 112 |
| 0,3 | 2,1 | 6 | 3 | 36 | 3 | 1,8 | 71 | Z4510/3/1,8x 71 |
| | | | | | | | 80 | 80 |
| | | | | | | | 90 | 90 |
| | | | | | | | 100 | 100 |
| | | | | | | | 112 | 112 |

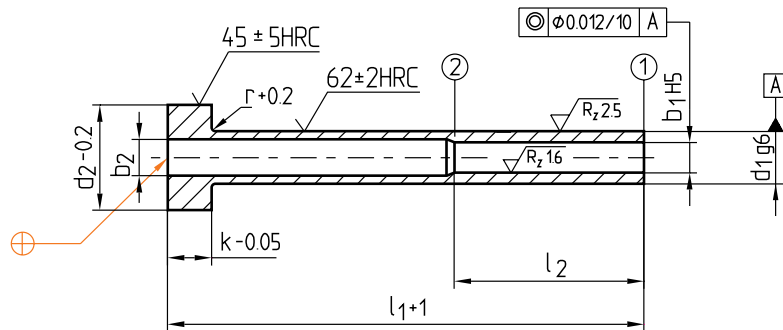
This is trial version
www.adultpdf.com

Z4510/...

Mat.: WS (≈ 1.2516)



Info



Neu / New / Nouveau

| r | b ₂ | d ₂ | k | l ₂ | d ₁ | b ₁ | l ₁ | Nr./No. |
|-----|----------------|----------------|---|----------------|----------------|----------------|----------------|---------------------|
| 0,3 | 2,2 | 6 | 3 | 36 | 3 | 1,9 | 71 | Z 4510/3 /1,9x 71 |
| | | | | | | | 80 | 80 |
| | | | | | | | 90 | 90 |
| | | | | | | | 100 | 100 |
| | | | | | | | 112 | 112 |
| | | | | | | | 125 | 125 |
| | | | | | | | 140 | 140 |
| | | | | | | | | |
| 0,3 | 2,3 | 6 | 3 | 36 | 3 | 2 | 50 | Z 4510/3 /2 x 50 |
| | | | | | | | 56 | 56 |
| | | | | | | | 63 | 63 |
| | | | | | | | 71 | 71 |
| | | | | | | | 80 | 80 |
| | | | | | | | | |
| | | | | | | | | |
| | | | | | | | | |
| 0,3 | 2,3 | 7 | 3 | 36 | 3,5 | 2 | 71 | Z 4510/3,5/2 x 71 |
| | | | | | | | 80 | 80 |
| | | | | | | | 90 | 90 |
| | | | | | | | 100 | 100 |
| | | | | | | | 112 | 112 |
| | | | | | | | 125 | 125 |
| | | | | | | | 140 | 140 |
| | | | | | | | 160 | 160 |
| | | | | | | | 180 | 180 |
| | | | | | | | 200 | 200 |
| 0,3 | 2,8 | 8 | 3 | 36 | 4 | 2,5 | 50 | Z 4510/4 /2,5x 50 |
| | | | | | | | 56 | 56 |
| | | | | | | | 63 | 63 |
| | | | | | | | 71 | 71 |
| | | | | | | | 80 | 80 |
| | | | | | | | 90 | 90 |
| | | | | | | | 100 | 100 |
| | | | | | | | 112 | 112 |
| | | | | | | | | |
| | | | | | | | | |
| 0,3 | 2,8 | 8 | 3 | 36 | 4,5 | 2,5 | 100 | Z 4510/4,5/2,5x 100 |
| | | | | | | | 112 | 112 |
| | | | | | | | 125 | 125 |
| | | | | | | | 140 | 140 |
| | | | | | | | 160 | 160 |
| | | | | | | | 180 | 180 |
| | | | | | | | 200 | 200 |
| | | | | | | | 224 | 224 |
| | | | | | | | | |
| | | | | | | | | |

| r | b ₂ | d ₂ | k | l ₂ | d ₁ | b ₁ | l ₁ | Nr./No. | | | | | |
|-----|----------------|----------------|---|----------------|----------------|----------------|----------------|----------------------|----|---|---|-----|-------------------|
| 0,3 | 3 | 8 | 3 | 50 | 4,5 | 3 | 50 | Z 4510/4,5/3 x 50 | | | | | |
| | | | | | | | 56 | 56 | | | | | |
| | | | | | | | 63 | 63 | | | | | |
| | | | | | | | 71 | 71 | | | | | |
| | 3,3 | | | | | | 8 | 3 | 45 | 5 | 3 | 100 | Z 4510/5 /3 x 100 |
| | | | | | | | | | | | | 112 | 112 |
| | | | | | | | | | | | | 125 | 125 |
| | | | | | | | | | | | | 140 | 140 |
| 0,3 | 3,3 | 10 | 3 | 45 | 5 | 3 | 100 | Z 4510/5 /3 x 100 | | | | | |
| | | | | | | | 112 | 112 | | | | | |
| | | | | | | | 125 | 125 | | | | | |
| | | | | | | | 140 | 140 | | | | | |
| | | | | | | | 160 | 160 | | | | | |
| | | | | | | | 180 | 180 | | | | | |
| | | | | | | | 200 | 200 | | | | | |
| | | | | | | | 224 | 224 | | | | | |
| 0,3 | 3,8 | 10 | 3 | 45 | 5 | 3,5 | 56 | Z 4510/5 /3,5x 56 | | | | | |
| | | | | | | | 63 | 63 | | | | | |
| | | | | | | | 71 | 71 | | | | | |
| | | | | | | | 80 | 80 | | | | | |
| | | | | | | | 90 | 90 | | | | | |
| | | | | | | | 100 | 100 | | | | | |
| | | | | | | | 112 | 112 | | | | | |
| | | | | | | | 125 | 125 | | | | | |
| 0,3 | 3,8 | 10 | 3 | 45 | 5,5 | 3,5 | 112 | Z 4510/5,5/3,5 x 112 | | | | | |
| | | | | | | | 125 | 125 | | | | | |
| | | | | | | | 140 | 140 | | | | | |
| | | | | | | | 160 | 160 | | | | | |
| | | | | | | | 180 | 180 | | | | | |
| | | | | | | | 200 | 200 | | | | | |
| | | | | | | | 224 | 224 | | | | | |
| | | | | | | | 250 | 250 | | | | | |
| | | | | | | | 280 | 280 | | | | | |
| | | | | | | | | | | | | | |

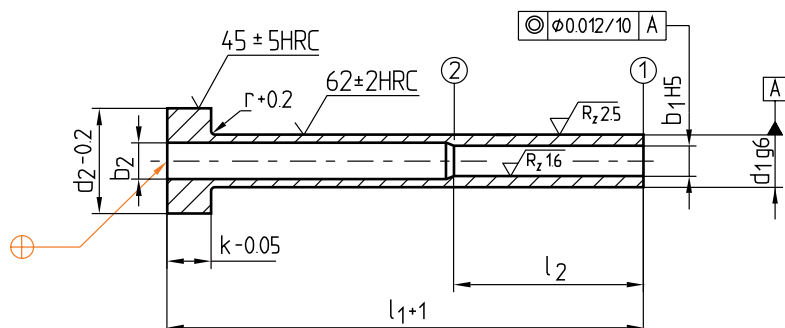
This is trial version
www.adultpdf.com

Z4510/...

Mat.: WS (≈ 1.2516)



Info



Neu / New / Nouveau

| r | b ₂ | d ₂ | k | l ₂ | d ₁ | b ₁ | l ₁ | Nr./No. | | | | | | | |
|-----|----------------|----------------|---|----------------|----------------|----------------|----------------|--------------------|----|---|----|---|---|-----|------------------|
| 0,3 | 4,3 | 10 | 3 | 45 | 5,5 | 4 | 56 | Z4510/5,5/4 x 56 | | | | | | | |
| | | | | | | | 63 | 63 | | | | | | | |
| | | | | | | | 71 | 71 | | | | | | | |
| | | | | | | | 80 | 80 | | | | | | | |
| | | | | | | | 90 | 90 | | | | | | | |
| | | | | | | | 100 | 100 | | | | | | | |
| | | | | | | | 112 | 112 | | | | | | | |
| | | | | | | | 125 | 125 | | | | | | | |
| | | | | | | | 0,5 | 4,3 | 12 | 5 | 45 | 6 | 4 | 112 | Z4510/6 /4 x 112 |
| | | | | | | | | | | | | | | 125 | 125 |
| 140 | 140 | | | | | | | | | | | | | | |
| 160 | 160 | | | | | | | | | | | | | | |
| 180 | 180 | | | | | | | | | | | | | | |
| 200 | 200 | | | | | | | | | | | | | | |
| 224 | 224 | | | | | | | | | | | | | | |
| 250 | 250 | | | | | | | | | | | | | | |
| 280 | 280 | | | | | | | | | | | | | | |
| 315 | 315 | | | | | | | | | | | | | | |
| 0,5 | 5,0 | 12 | 5 | 45 | 7 | 4,5 | 112 | Z4510/7 /4,5 x 112 | | | | | | | |
| | | | | | | | 125 | 125 | | | | | | | |
| | | | | | | | 140 | 140 | | | | | | | |
| | | | | | | | 160 | 160 | | | | | | | |
| | | | | | | | 180 | 180 | | | | | | | |
| | | | | | | | 200 | 200 | | | | | | | |
| | | | | | | | 224 | 224 | | | | | | | |
| | | | | | | | 250 | 250 | | | | | | | |
| | | | | | | | 280 | 280 | | | | | | | |
| | | | | | | | 315 | 315 | | | | | | | |
| 0,5 | 5,3 | 12 | 5 | 45 | 7 | 5 | 56 | Z4510/7 /5 x 56 | | | | | | | |
| | | | | | | | 63 | 63 | | | | | | | |
| | | | | | | | 71 | 71 | | | | | | | |
| | | | | | | | 80 | 80 | | | | | | | |
| | | | | | | | 90 | 90 | | | | | | | |
| | | | | | | | 100 | 100 | | | | | | | |
| | | | | | | | 112 | 112 | | | | | | | |
| | | | | | | | 125 | 125 | | | | | | | |
| | | | | | | | | | | | | | | | |
| | | | | | | | | | | | | | | | |
| | | | | | | | | | | | | | | | |

| r | b ₂ | d ₂ | k | l ₂ | d ₁ | b ₁ | l ₁ | Nr./No. |
|-----|----------------|----------------|---|----------------|----------------|----------------|----------------|--------------------|
| 0,5 | 5,8 | 14 | 5 | 45 | 8 | 5,5 | 112 | Z4510/ 8/5,5 x 112 |
| | | | | | | | 125 | 125 |
| | | | | | | | 140 | 140 |
| | | | | | | | 160 | 160 |
| | | | | | | | 180 | 180 |
| | | | | | | | 200 | 200 |
| | | | | | | | 224 | 224 |
| | | | | | | | 250 | 250 |
| | | | | | | | 280 | 280 |
| | | | | | | | 315 | 315 |
| 0,5 | 6,5 | 14 | 5 | 45 | 9 | 6 | 125 | Z4510/ 9/6 x 125 |
| | | | | | | | 140 | 140 |
| | | | | | | | 160 | 160 |
| | | | | | | | 180 | 180 |
| | | | | | | | 200 | 200 |
| | | | | | | | 224 | 224 |
| | | | | | | | 250 | 250 |
| | | | | | | | 280 | 280 |
| | | | | | | | 315 | 315 |
| | | | | | | | 0,5 | 7 |
| 140 | 140 | | | | | | | |
| 160 | 160 | | | | | | | |
| 180 | 180 | | | | | | | |
| 200 | 200 | | | | | | | |
| 224 | 224 | | | | | | | |
| 250 | 250 | | | | | | | |
| 280 | 280 | | | | | | | |
| 315 | 315 | | | | | | | |
| 0,5 | 7,5 | 16 | 5 | 45 | 10 | 7 | | |
| | | | | | | | 140 | 140 |
| | | | | | | | 160 | 160 |
| | | | | | | | 180 | 180 |
| | | | | | | | 200 | 200 |
| | | | | | | | 224 | 224 |
| | | | | | | | 250 | 250 |
| | | | | | | | 280 | 280 |
| | | | | | | | 315 | 315 |
| | | | | | | | | |

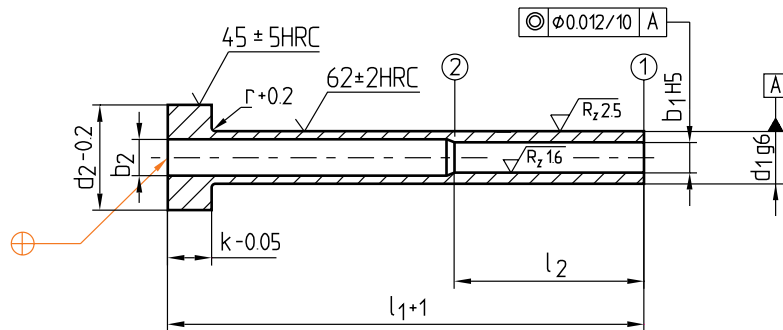
This is trial version
www.adultpdf.com

Z4510/...

Mat.: WS (≈ 1.2516)



► Info



Neu / New / Nouveau

| r | b ₂ | d ₂ | k | l ₂ | d ₁ | b ₁ | l ₁ | Nr./No. |
|-----|----------------|----------------|---|----------------|----------------|----------------|----------------|-------------------|
| 0,5 | 8,5 | 18 | 5 | 45 | 11 | 8 | 63 | Z4510/11/ 8 x 63 |
| | | | | | | | 71 | 71 |
| | | | | | | | 80 | 80 |
| | | | | | | | 90 | 90 |
| | | | | | | | 100 | 100 |
| | | | | | | | 112 | 112 |
| | | | | | | | 125 | 125 |
| | | | | | | | 140 | 140 |
| 0,8 | 9 | 20 | 7 | 45 | 12 | 8,5 | 63 | Z4510/12/ 8,5x 63 |
| | | | | | | | 71 | 71 |
| | | | | | | | 80 | 80 |
| | | | | | | | 90 | 90 |
| | | | | | | | 100 | 100 |
| | | | | | | | 112 | 112 |
| | | | | | | | 125 | 125 |
| | | | | | | | 140 | 140 |
| | | | | | | | 160 | 160 |
| | | | | | | | 180 | 180 |
| | | | | | | | 200 | 200 |
| | | | | | | | 224 | 224 |
| 0,8 | 9,3 | 20 | 7 | 45 | 12 | 9 | 63 | Z4510/12/ 9 x 63 |
| | | | | | | | 71 | 71 |
| | | | | | | | 80 | 80 |
| | | | | | | | 90 | 90 |
| | | | | | | | 100 | 100 |
| | | | | | | | 112 | 112 |
| | | | | | | | 125 | 125 |
| | | | | | | | 140 | 140 |
| | | | | | | | 160 | 160 |
| | | | | | | | 180 | 180 |
| | | | | | | | 200 | 200 |
| | | | | | | | 224 | 224 |
| 0,8 | 10,5 | 22 | 7 | 50 | 14 | 10 | 140 | Z4510/14/10 x140 |
| | | | | | | | 160 | 160 |
| | | | | | | | 180 | 180 |
| | | | | | | | 200 | 200 |
| | | | | | | | 224 | 224 |
| | | | | | | | 250 | 250 |
| | | | | | | | 280 | 280 |
| | | | | | | | 315 | 315 |

| r | b ₂ | d ₂ | k | l ₂ | d ₁ | b ₁ | l ₁ | Nr./No. | | | | | | | |
|-----|----------------|----------------|----|----------------|----------------|----------------|----------------|--------------------|----|---|----|----|----|-----|-------------------|
| 0,8 | 11 | 22 | 7 | 50 | 14 | 10,2 | 71 | Z4510/14/10,2 x 71 | | | | | | | |
| | | | | | | | 80 | 80 | | | | | | | |
| | | | | | | | 90 | 90 | | | | | | | |
| | | | | | | | 100 | 100 | | | | | | | |
| | | | | | | | 112 | 112 | | | | | | | |
| | | | | | | | 125 | 125 | | | | | | | |
| | | | | | | | 140 | 140 | | | | | | | |
| | | | | | | | 160 | 160 | | | | | | | |
| | | | | | | | 180 | 180 | | | | | | | |
| | | | | | | | 200 | 200 | | | | | | | |
| 0,8 | 12,5 | 22 | 7 | 50 | 16 | 12 | 140 | Z4510/16/12 x 140 | | | | | | | |
| | | | | | | | 160 | 160 | | | | | | | |
| | | | | | | | 180 | 180 | | | | | | | |
| | | | | | | | 200 | 200 | | | | | | | |
| | | | | | | | 224 | 224 | | | | | | | |
| | | | | | | | 250 | 250 | | | | | | | |
| | | | | | | | 280 | 280 | | | | | | | |
| | | | | | | | 315 | 315 | | | | | | | |
| | | | | | | | 1 | 16,5 | 26 | 7 | 50 | 20 | 16 | 140 | Z4510/20/16 x 140 |
| | | | | | | | | | | | | | | 160 | 160 |
| 180 | 180 | | | | | | | | | | | | | | |
| 200 | 200 | | | | | | | | | | | | | | |
| 224 | 224 | | | | | | | | | | | | | | |
| 250 | 250 | | | | | | | | | | | | | | |
| 280 | 280 | | | | | | | | | | | | | | |
| 315 | 315 | | | | | | | | | | | | | | |
| 1 | 20,5 | 32 | 10 | 50 | 25 | 20 | 140 | Z4510/25/20 x 140 | | | | | | | |
| | | | | | | | 160 | 160 | | | | | | | |
| | | | | | | | 180 | 180 | | | | | | | |
| | | | | | | | 200 | 200 | | | | | | | |
| | | | | | | | 224 | 224 | | | | | | | |
| | | | | | | | 250 | 250 | | | | | | | |
| | | | | | | | 280 | 280 | | | | | | | |
| | | | | | | | 315 | 315 | | | | | | | |

This is trial version
www.adultpdf.com